

Specification Status: RELEASED

Electrical Rating

Voltage: 16V_{DC} MAX
Current: 100A MAX

INSULATING MATERIAL:

Cured, Flame Retarded Epoxy Polymer

LEAD MATERIAL:

20 AWG Tin/Lead Plated Copper

PART MARKING:

- Raychem Logo and Voltage
- ⊗ 16
- H10 — Part Identification
- □ □ □ — Lot Identification (can be on back)

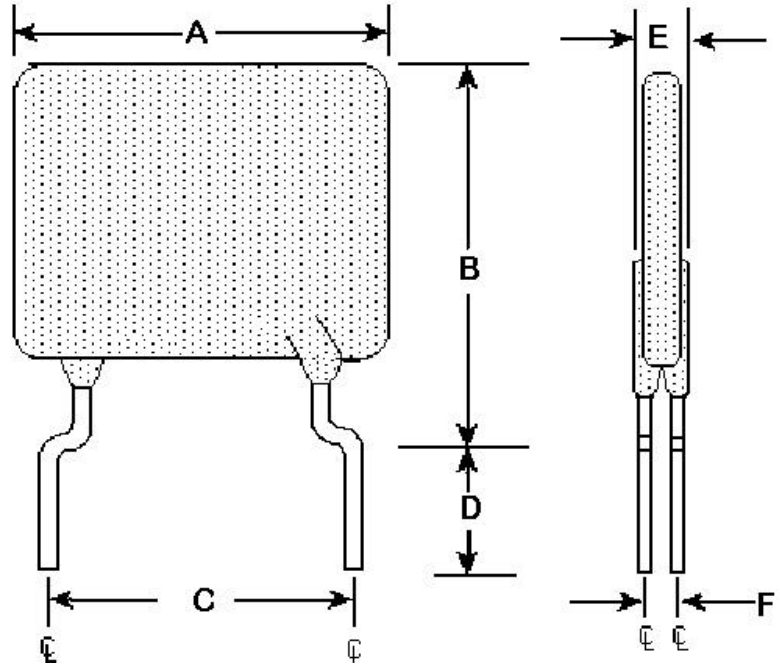


TABLE I. DIMENSIONS:

	A		B		C		D		E		F
	MIN	MAX	MIN	MAX	MIN	MAX	MIN	MAX	MIN	MAX	TYP
mm:	--	17.5	--	26.5	9.4	10.9	7.6	--	--	3.0	1.2
in*:	--	0.69	--	1.04	(0.37)	(0.43)	(0.30)	--	--	(0.12)	(0.05)

*Rounded off approximation

TABLE II. PERFORMANCE RATINGS:

I HOLD	CURRENT RATINGS						TIME TO TRIP	RESISTANCE		TRIPPED-STATE POWER DISSIPATION
	AMPS AT 0°C		AMPS AT 25°C		AMPS AT 60°C			OHMS AT 25°C		
HOLD	HOLD	TRIP	HOLD	TRIP	HOLD	TRIP	SECONDS AT 25°C, 50A MAX	MIN	MAX	WATTS AT 25°C TYP
10.0	--	--	10.0	18.5	--	--	9.0	0.0062	0.015	5.3

Recognitions: UL, TUV, CSA recognized.
 Reference Documents: PS300
 Precedence: This specification takes precedence over documents referenced herein.
 Effectivity: Reference documents shall be the issue in effect on the date of invitation for bid.
 CAUTION: Operation beyond the rated voltage or current may result in rupture, electrical arcing or flame.